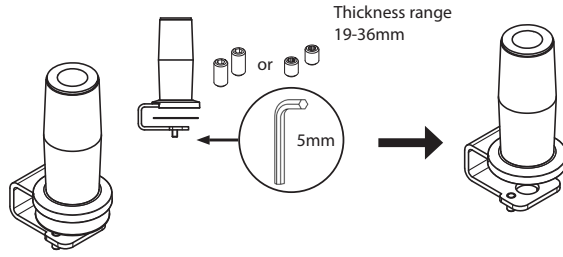
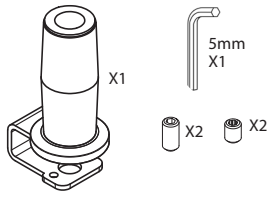
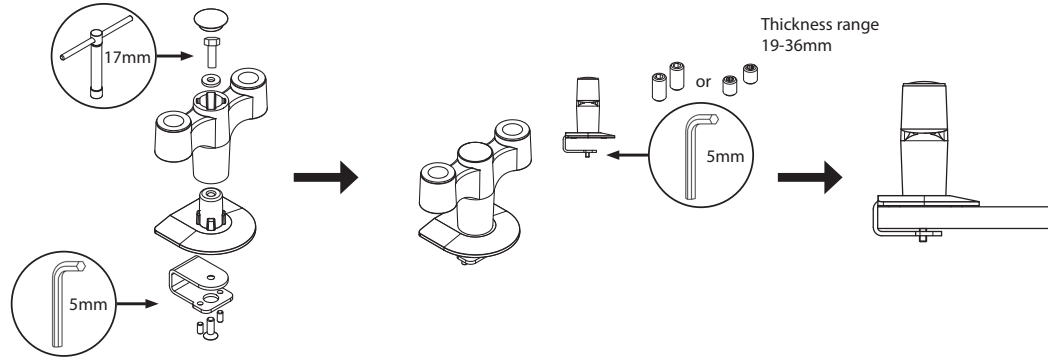
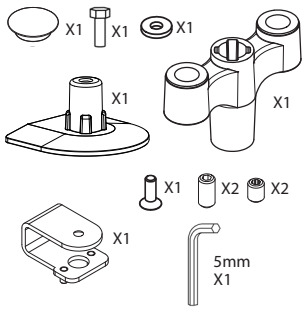


SA01QC-MCC / SA01MCC
SA02QC-MCL / SA02MCL

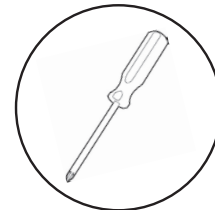
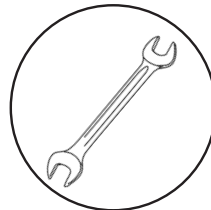
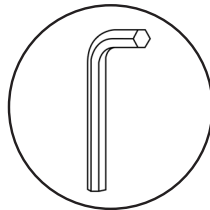
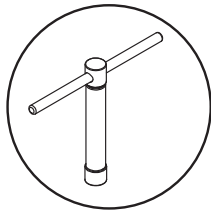
MCC - Mini Clamp



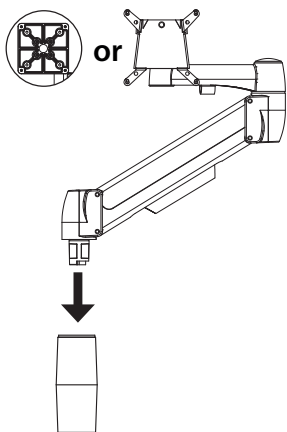
MCL - Mini CL Clamp



Additional Tools May be Needed

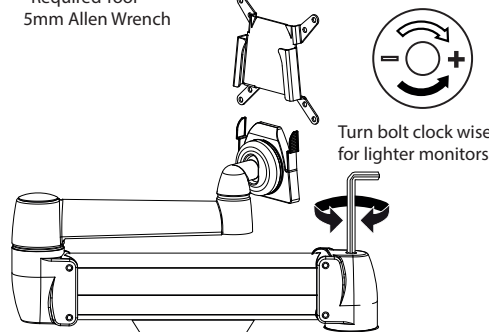


Monitor Arm Set-up



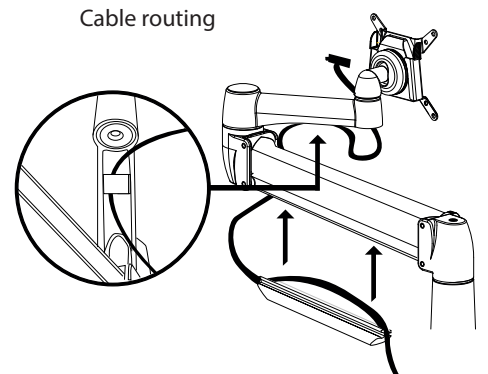
Adjusting counter balance

*Required Tool
5mm Allen Wrench

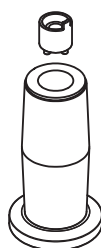


Position Arm so it is parallel to desk surface

Cable routing



Monitor Arm Limiters



or

